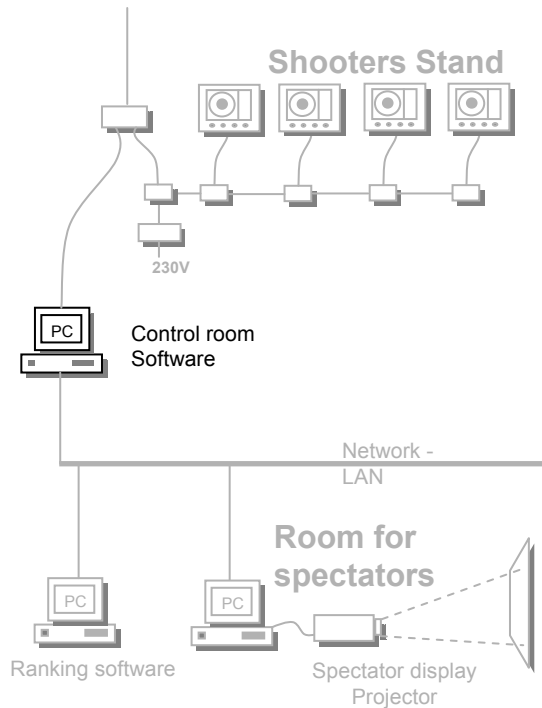


Orion - control room software

The best control room software on the market. Unbeatably simple to use with any shooting program.

Connect a PC to MpX97 Electronic Scoring System and run Orion Control Room Software. The software takes over the control of the system – gathers results, communicates with the result handling program and provides a full overview of proceedings. Orion generates the finest printouts.

Create your own shooting programs or use the provided programs. The choice is yours – simple either way.



Recommended use :

- All systems with targets produced by Kongsberg Mikroelektronikk AS

PC System Requirements :

- **Minimum processor requirements**
Pentium 166 MHz (Up to 8 lanes)
Pentium II 300 MHz (Up to 16 lanes)
Pentium II 400 MHz (More than 16 lanes)
- **Available memory**
16 MB (Recommended: 64MB)
- **Available hard disk space**
10 MB (Recommended: 50MB)
- **Windows version**
95/98/Me/2000/XP (Recommended: 98 / 2000)
- **Minimum resolution**
640 x 480 (Recommended: 800 x 600)
- **Avilable series port**
1

Quick functions :

- Re-shooting
- Extra sighting shots
- User defined shooting programs

Navn	Kl.	Inn	1	2	3	4	5	6	7	8	9	10	Sum	Tot
1 Lars Hansen	5	132	9.8	9.4	8.4	X.0	7.8	9.0	X.0	7.7	9.3	8.7	86	218
2 Johan Toresen	4	136	9.6	9.0	9.0	9.2	8.9	9.2	*.9	X.1	8.6	9.3	90	226
3 Petter Knutsen	5	135	9.6	8.7	8.3	8.8	9.3	X.3	X.3	9.7	9.4	9.8	89	224
4 Line Nilsen	4	134	9.2	8.3	9.2	8.9	8.1	8.6	9.6	9.4	9.9	9.3	86	220
5 Sigurd Monsen	5	126	*.8	9.8	9.6	9.1	X.3	X.3	9.7	8.0	9.3	*.6	93	219
6 Lars Tore Berg	4	135	9.2	9.0	9.4	8.2	X.2	8.5	9.3	*.8	8.5	9.3	89	224
7 Kari Anne Johnson	5	132	X.3	8.3	9.8	X.1	9.9	X.0	X.0	8.5	8.7	9.7	91	223
8		0											0	0
9		0											0	0
10		0											0	0
11		0											0	0
12		0											0	0
13		0											0	0
14		0											0	0
15		0											0	0
16		0											0	0
17		0											0	0
18		0											0	0
19		0											0	0
20		0											0	0

